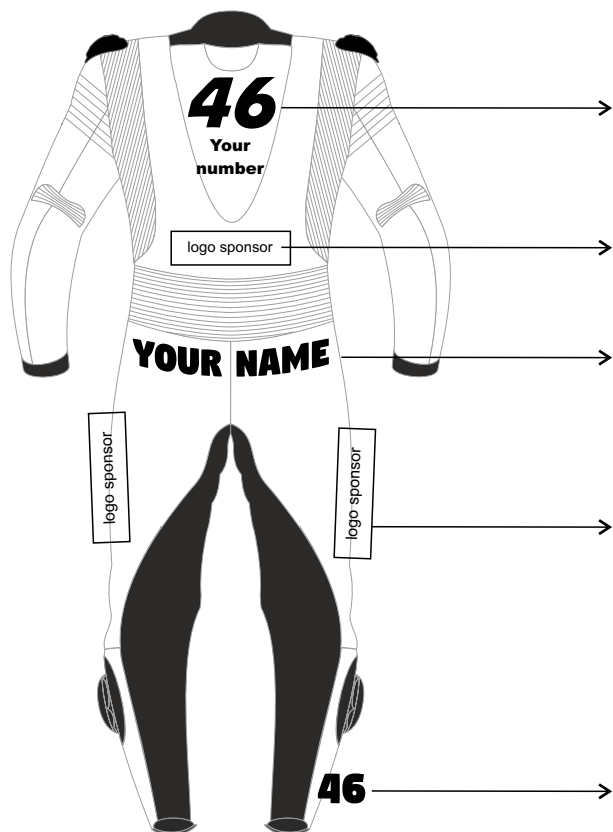


Leather Graphic Patches



70€

Number on the hump

(max 27cm, max 2 colors + 5€ /extra color)

40€

Sponsor's logo

80€

Name on the back

(max 32cm, max 2 colors - 5€ /extra color)

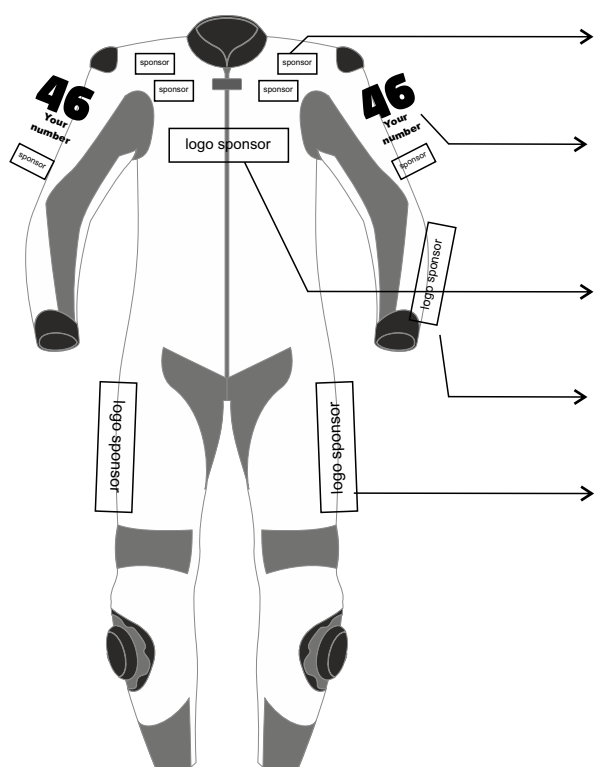
40€

Sponsor's logo / leg

30€

Number on the leg

(max 15cm, max 2 colors - 5€ /extra color)



25€

Sponsor's logo small

30€

Number on the arm

(max 15cm, max 2 colors - 5€ /extra color)

45€

Sponsor's logo big

40€

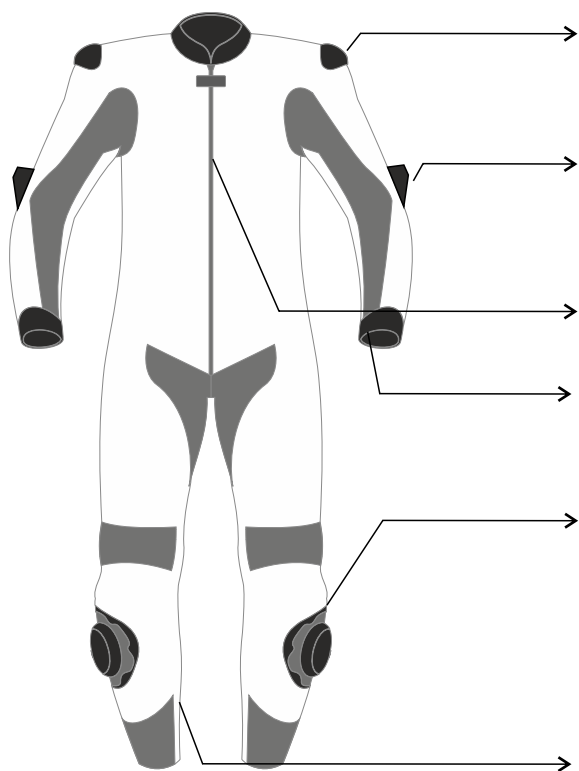
Sponsor's logo / sleeve

40€

Sponsor's logo / leg

1 hour of design included
50€/hour Every extra hour

Leather gear zippers replace and alternations



- 100€ Shoulders outside protector replace/repair if possible
- 60€ Application or replace of elbow slider (mount+slider)
- 100€ Main zip replace (Opti-YKK)
- 50€ Sleeve zip replace (Opti-YKK)
- 40€ Knee sliders velcro repair each leg.
*For Dainese the cost is 70€
- 50€ Leg zip replace (Opti-YKK)

Chest / belly widening

100€-200€

Sleeves widening

60€-150€

Sleeves narrowing

60€-150€

Sleeves shortening only bottom

50-70€

Sleeves shortening at 2 points

100-150€

Hips widening

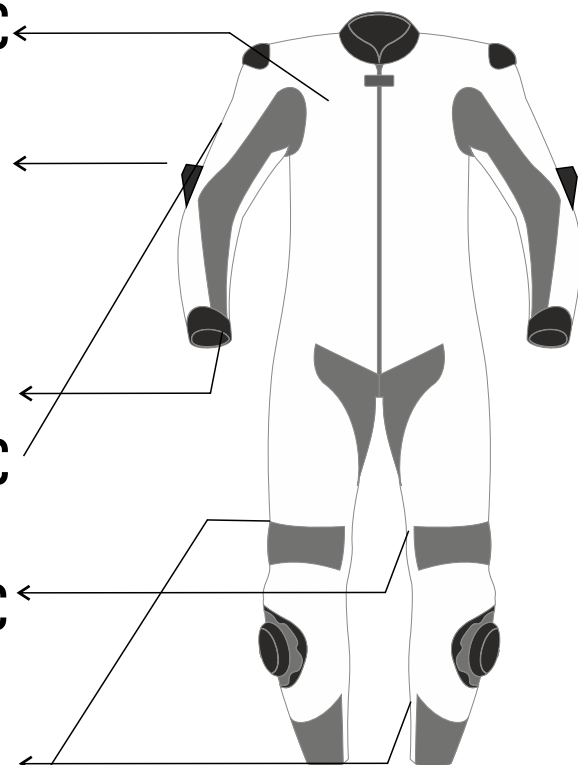
100-150€

Legs shortening only bottom

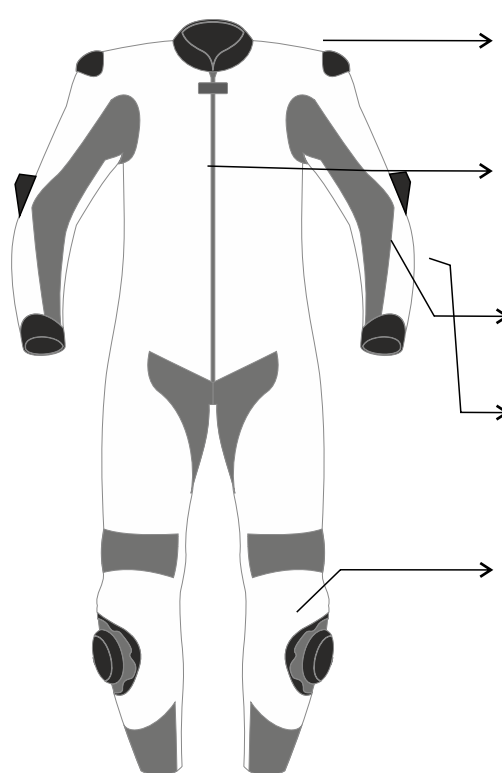
50-80€

Legs shortening at 2 points

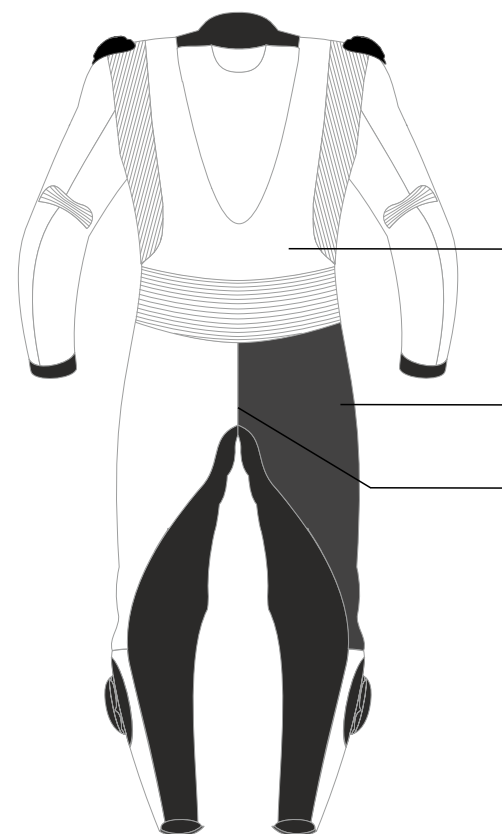
100-150€



Leather Gear maintenance and after crash repairs



- 100€ Extreerion Cleaning & Nurishig
- 50€ Interior cleaning and disinfection
- 40€-90€ Kevlar fabric repair
- 50-100€ Sleeve after crash repair (leather part replace/ hall fix/paint)
- 50€-150€ Knee damaged leather repair



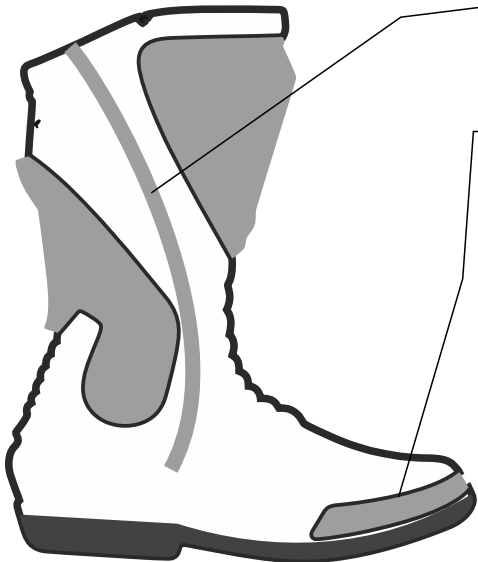
- 30€ - 100€ After crash paint on scratchy leather parts
- 30€ - 80€ After crash hump and back repair
- 80€ - 140€ After crash himp repair (leather replace - hole repair - paint)
- 200 - 250€ Full bottom replace

All leather replaces are made by equal leather quality like the original or even better.
All leather color dyes that we use are eco friendly, made by the best brands in the world.

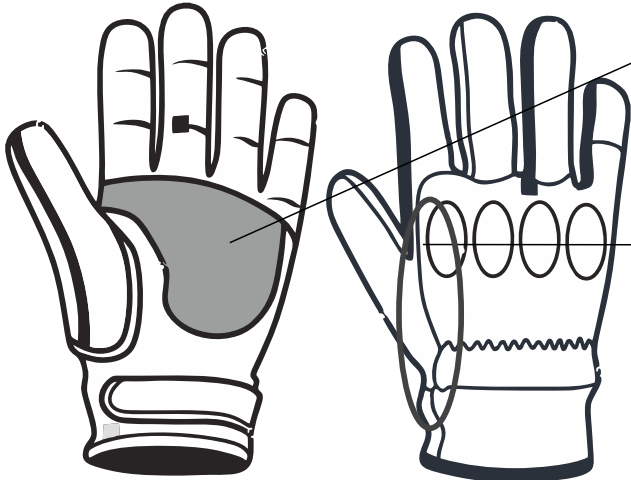
The final cost is determined after damage assessment and agreement with the customer.

Labor cost per hour: 50€

Motorcycle boots and gloves repair



- 50€ Zip replace each boot
- 30€ Slider mount repair after touch down
- 15€-25€ Cleaning/painting
- 70€ Resole with vibram - or original sole



- 40€ Hole close/repair for pair of gloves
- 60€ Widening
- 15€ Special treatments for extrem dry gloves

All leather replaces are made by equal leather quality like the original or even better.

All leather color dyes, cleaners and adhesives that we use are eco friendly, made by the best brands in the world.

The final cost is determined after damage assessment and agreement with the customer.

Labor cost per hour. 50€